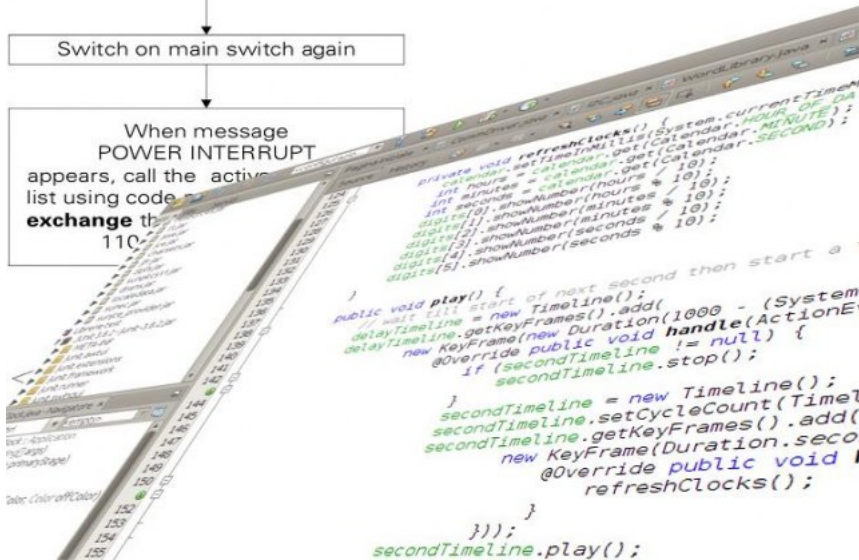
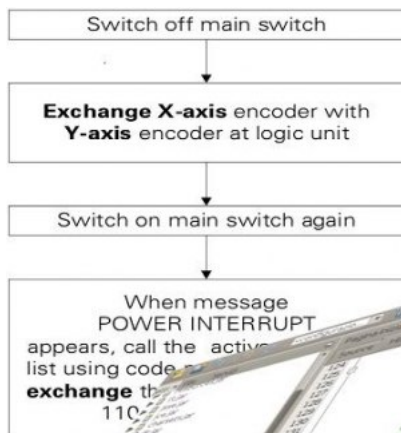


CNC SOFTWARE



We develop and install operational logic for national and European manufacturers.

We execute personalised operational logic to cater to the varying needs of our Customers. Thanks to the expertise and dynamism of our technicians, We are able to develop and operate in total autonomy even the most complex automations.